

BS 20



BS 20

1 Fixed louvres

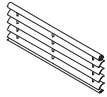
Connections with other systems

CW 50

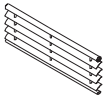


1 Fixed louvres

Fixed louvres in a vertical plane



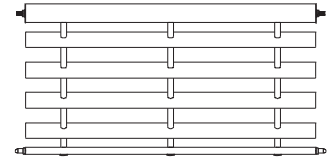
BS 20 - 002



Fixed louvres in a vertical plane

General remark :

For recommendation on max. admissible sizes !
Every typical situation and specific project has to be
calculated / validated by an official structural engineer.

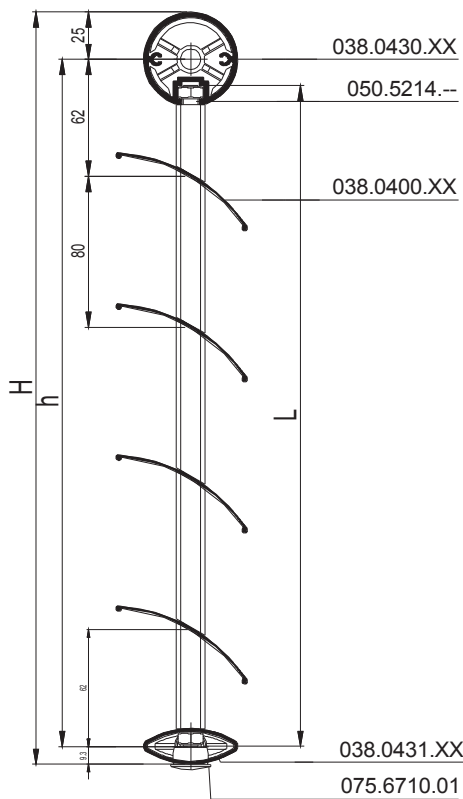


Recommendation :

Max. width 3000mm
Max. height 1250mm

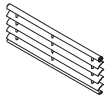
BS 20 - 3

1



... .dxf
... .dwg

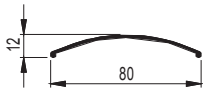




Fixed louvres in a vertical plane

038.0400.XX

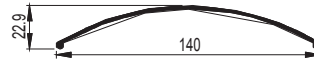
$I_x = 0.127 \text{ cm}^4$



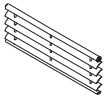
BS20-001001.dxf
BS20-001001.dwg

038.0401.XX

$I_x = 1.281 \text{ cm}^4$



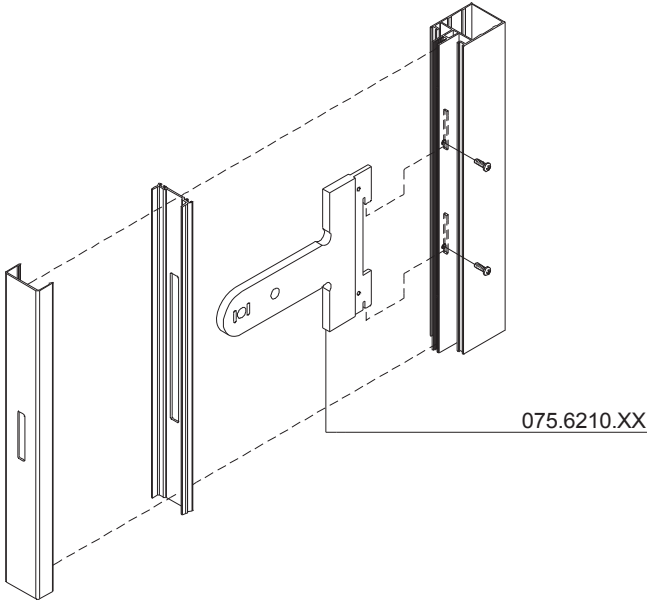
BS20-001002.dxf
BS20-001002.dwg



CW 50

CW 50

50



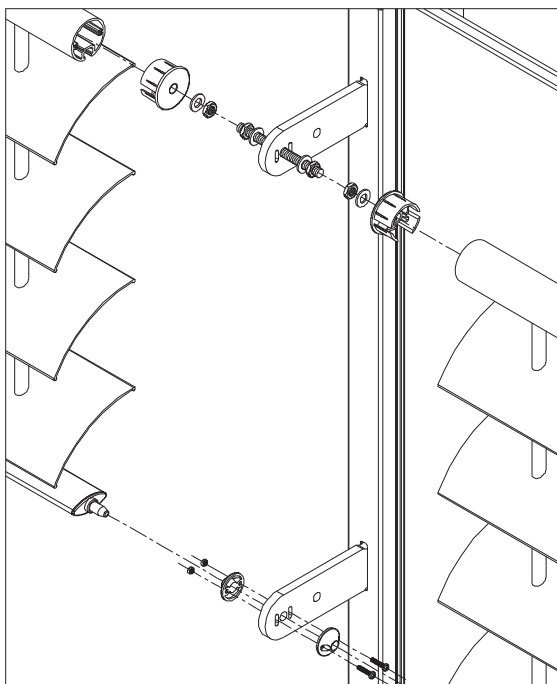
075.6210.XX

BS20-3d0005.dxf
BS20-3d0005.dwg

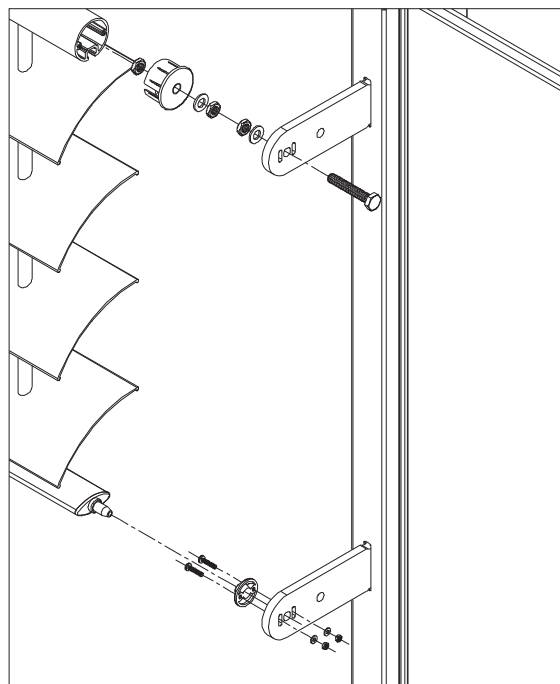
BS 20 - 5

CW 50

50



BS20-3d0006.dxf
BS20-3d0006.dwg



BS20-3d0007.dxf
BS20-3d0007.dwg